

## Karakteristikler



- Enerji tasarruflu ?s? pompal? hava perdesi: Maliyetler ve CO2 emisyonunda 70%'e yak?n azalma.(?s?tma modu)
- Her i? mimariye uygun, ??k, sade ve ?a?da? tasar?m.
- Ön panel mü?terinin iste?ine göre logolar, ???klandırma, yaz?lar veya güvenlik sinyalleriyle özelle?tirilebilir.
- Kenar?z plastik yan k?l?fl?, kendini ta??yabilen ?elik yuvarlak kasa, standart olarak yap?sal epoksi-polyester RAL9016 beyaz boyayla cilalan?r.Di?er renkler iste?e tabiidir.
- Üstteki gizli hava giri?i, ünitenin ve hava giri?i ?zgaras?n? görmez.
- Anodize edilmi? alüminyum priz pervaneleri, kanat ?eklinde, iki yönde de ayarlanabilir.
- Dük ses seviyeli ve d??tan rotor motorlar?yla hareket eden çift giri?li santrüfj motorlar?. 5-h?z seviyeli.EC modelleri dük tüketimli verimli fanlar i?erir.
- ?? ön filtre dahildir.
- Advanced Plug&Play control. Includes: Advanced PRO control with LCD display and integrated thermostat, door contact, 7m RJ11 cable and remote control.
- DX 1:1:  
Genle?me valfli DAIKIN Inverter aç?khava ?s? pompas? ünitesine (R410A) ba?lanmaya haz?rd?r, genle?me valfi dahil de?ildir, mü?teri taraf?ndan sat?n al?nmal?d?r. Hava perdesi ve programlanabilir kontrol i?in adapte edilmi? DAIKIN DX Interface KIT gerektirir.
- DX VRV:  
Genle?me valfli DAIKIN VRV aç?khava ?s? pompas? ünitesine (R410A) ba?lanmaya haz?rd?r, genle?me valfi dahil de?ildir, mü?teri taraf?ndan sat?n al?nmal?d?r. Hava perdesi ve programlanabilir kontrol i?in adapte edilmi? DAIKIN VRV Interface KIT gerektirir.

## Ki?iselle?tirme

50Hz

## Is? pompas? - DX 1:1

Model	(m <sup>3</sup> /h)	(m)
SMART ECM 1500 DX13-DA	5/8" - 3/8"	
SMART ECM 2000 DX16-DA	5/8" - 3/8"	
SMART ECM 2000 DX18-DA	3/4" - 3/8"	
SMART ECM 2500 DX24-DA	3/4" - 3/8"	
SMART ECM 3000 DX25-DA	3/4" - 3/8"	
SMART ECG 1000 DX10-DA	5/8" - 3/8"	
SMART ECG 1500 DX13-DA	5/8" - 3/8"	
SMART ECG 1500 DX15-DA	5/8" - 3/8"	
SMART ECG 2000 DX24-DA	3/4" - 3/8"	
SMART ECG 2500 DX25-DA	3/4" - 3/8"	
SMART ECG 2500 DX29-DA	7/8" - 3/8"	
SMART ECG 3000 DX32-DA	7/8" - 3/8"	

## Is? pompas? - VRV



Model	(m <sup>3</sup> /h)	(m)
SMART ECM 1000 VRV8-DA	5/8" - 3/8"	
SMART ECM 1500 VRV12-DA	5/8" - 3/8"	
SMART ECM 2000 VRV16-DA	5/8" - 3/8"	
SMART ECM 2000 VRV19-DA	3/4" - 3/8"	
SMART ECM 2500 VRV21-DA	3/4" - 3/8"	
SMART ECM 2500 VRV24-DA	3/4" - 3/8"	
SMART ECM 3000 VRV26-DA	3/4" - 3/8"	
SMART ECM 3000 VRV30-DA	7/8" - 3/8"	
SMART ECG 1000 VRV10-DA	5/8" - 3/8"	
SMART ECG 1500 VRV13-DA	5/8" - 3/8"	
SMART ECG 1500 VRV15-DA	5/8" - 3/8"	
SMART ECG 2000 VRV20-DA	3/4" - 3/8"	
SMART ECG 2000 VRV24-DA	3/4" - 3/8"	
SMART ECG 2500 VRV25-DA	3/4" - 3/8"	
SMART ECG 2500 VRV29-DA	7/8" - 3/8"	
SMART ECG 3000 VRV29-DA	7/8" - 3/8"	
SMART ECG 3000 VRV34-DA	7/8" - 3/8"	

60Hz

Is? pompas? - DX 1:1		
Model	(m <sup>3</sup> /h)	(m)
SMART ECM 1500 DX13-DA	5/8" - 3/8"	
SMART ECM 2000 DX16-DA	5/8" - 3/8"	
SMART ECM 2000 DX18-DA	3/4" - 3/8"	
SMART ECM 2500 DX24-DA	3/4" - 3/8"	
SMART ECM 3000 DX25-DA	3/4" - 3/8"	
SMART ECG 1000 DX10-DA	5/8" - 3/8"	
SMART ECG 1500 DX13-DA	5/8" - 3/8"	
SMART ECG 1500 DX15-DA	5/8" - 3/8"	
SMART ECG 2000 DX24-DA	3/4" - 3/8"	
SMART ECG 2500 DX25-DA	3/4" - 3/8"	



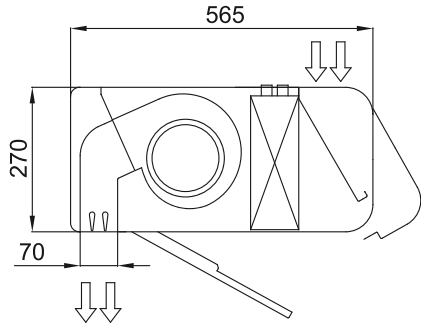
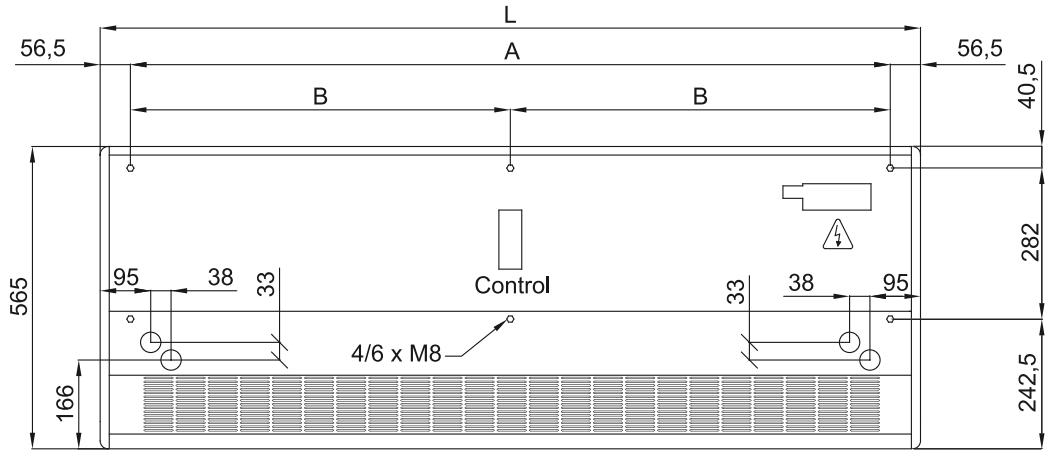
Is? pompas? - DX 1:1

Model	(m <sup>3</sup> /h)	(m)
SMART ECG 2500 DX29-DA	7/8" - 3/8"	
SMART ECG 3000 DX32-DA	7/8" - 3/8"	

Is? pompas? - VRV

Model	(m <sup>3</sup> /h)	(m)
SMART ECM 1000 VRV8-DA	5/8" - 3/8"	
SMART ECM 1500 VRV12-DA	5/8" - 3/8"	
SMART ECM 2000 VRV16-DA	5/8" - 3/8"	
SMART ECM 2000 VRV19-DA	3/4" - 3/8"	
SMART ECM 2500 VRV21-DA	3/4" - 3/8"	
SMART ECM 2500 VRV24-DA	3/4" - 3/8"	
SMART ECM 3000 VRV26-DA	3/4" - 3/8"	
SMART ECM 3000 VRV30-DA	7/8" - 3/8"	
SMART ECG 1000 VRV10-DA	5/8" - 3/8"	
SMART ECG 1500 VRV13-DA	5/8" - 3/8"	
SMART ECG 1500 VRV15-DA	5/8" - 3/8"	
SMART ECG 2000 VRV20-DA	3/4" - 3/8"	
SMART ECG 2000 VRV24-DA	3/4" - 3/8"	
SMART ECG 2500 VRV25-DA	3/4" - 3/8"	
SMART ECG 2500 VRV29-DA	7/8" - 3/8"	
SMART ECG 3000 VRV29-DA	7/8" - 3/8"	
SMART ECG 3000 VRV34-DA	7/8" - 3/8"	

Boyutlar



	L	A	B
Smart 1000	1034	920	-
Smart 1500	1534	1420	710
Smart 2000	2034	1920	960
Smart 2500	2534	2420	1210
Smart 3000	3034	2920	1460